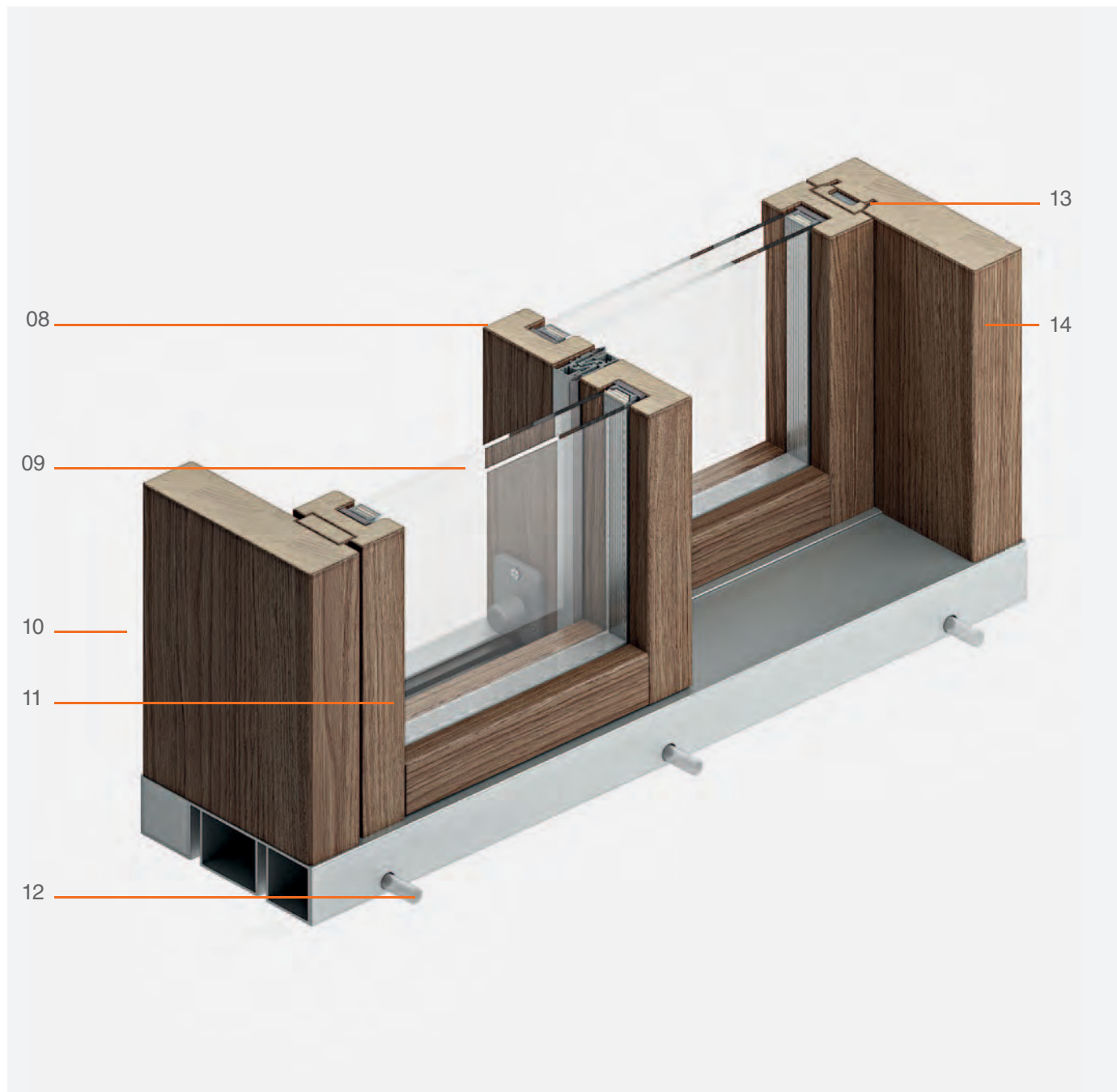


## Slim 68 L

Vista esterna scorrevole alzante / Exterior view lift&slide / Vue extérieure coulissant à levage



08 Anta scorrevole alzante  
09 Vetro camera  
10 Telaio  
11 Anta fissa  
12 Scarico drenaggio  
13 Guarnizioni di tenuta

08 Lift&slide leaf  
09 Double glazing  
10 Frame  
11 Fixed Leaf  
12 Water drainage  
13 Seal gasket

08 Vantail coulissant à levage  
09 Double vitrage  
10 Cadre  
11 Vantail fixe  
12 Drainage d'eau  
13 Joint d'étanchéité